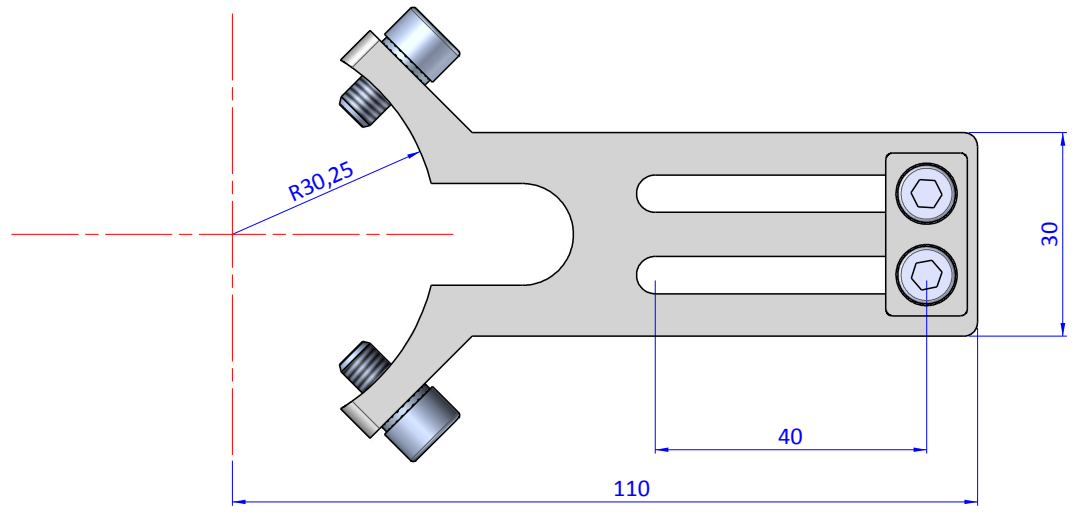
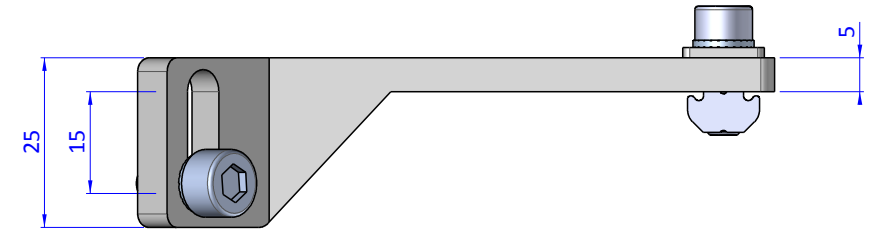
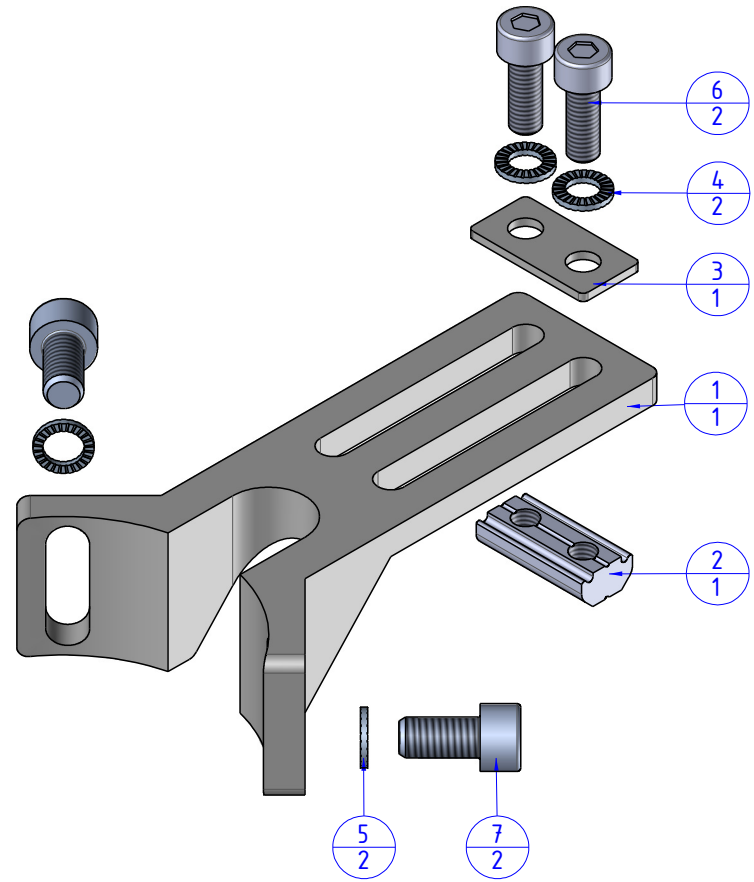



THE PROPERTY OF THE DRAWING IS ESTABLISHED BY LAW. IT IS FORBIDDEN TO PRODUCE OR SHOW IT TO THIRD PARTY, WITHOUT A WRITTEN AGREEMENT.

Item	Name	Q.ty
1	09.17.1025	1
2	CA.GWP.5.12	1
3	R.05.12	1
4	R.5.SCH	2
5	R.6.SCH	2
6	V.TCE5x14	2
7	V.TCE6x12	2



Format A3
UNI 936-76

 FPS FPSERVICES AUTOMATION		DESIGNED FROM		REVIEW
		FPS Automation		A
GENERAL TOLERANCE		DATE	WEIGHT	
UNI - ISO 2768		31/05/2019	0,033kg	
CLASSE f		CODE		
		CA.09.17.1025.X		CA.09.17.1025.X